



EVA.8



CONTROL PANELS:

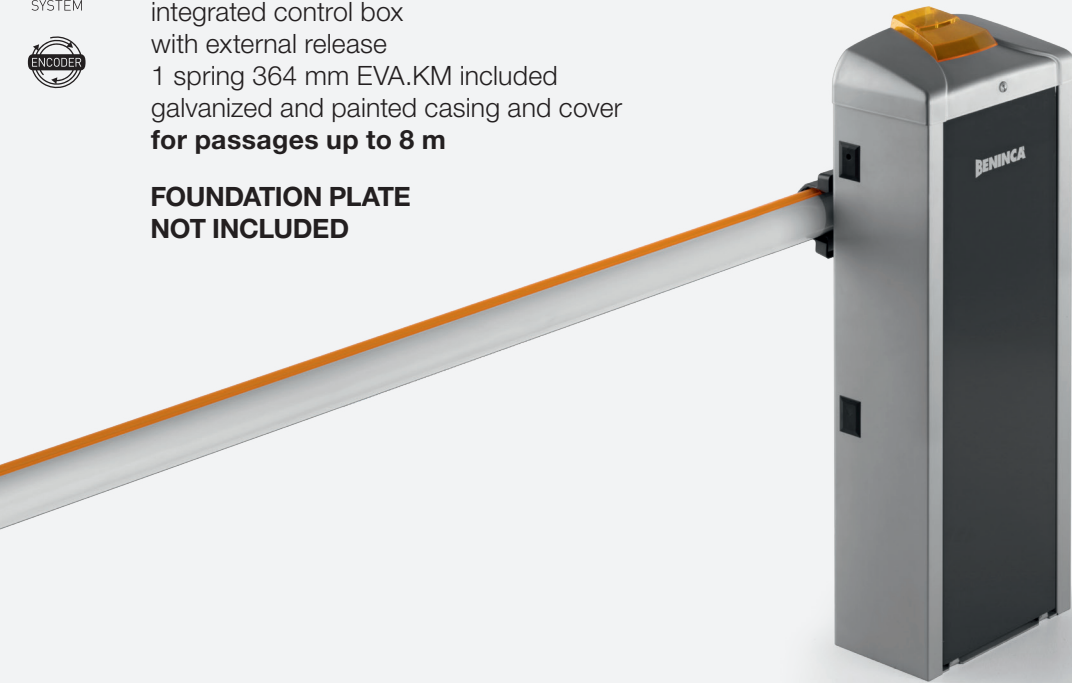
EVA.8 ———— CP.EVA2



ROAD BARRIERS

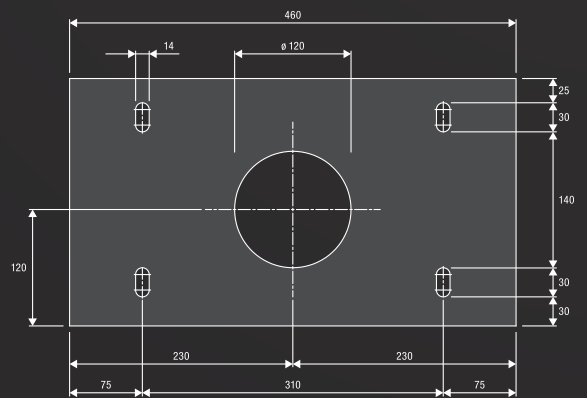
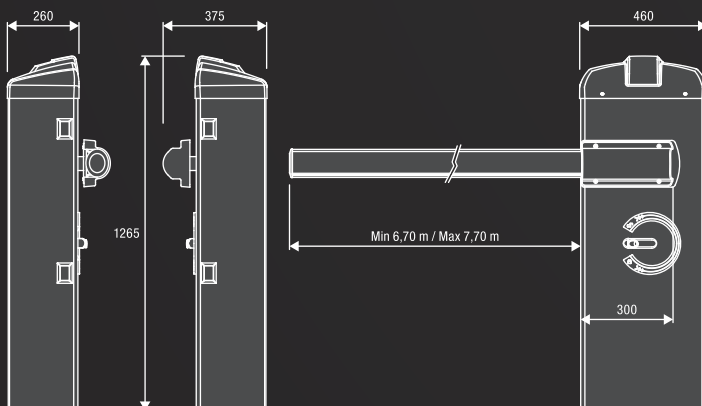
integrated control box with external release
1 spring 364 mm EVA.KM included
galvanized and painted casing and cover
for passages up to 8 m

FOUNDATION PLATE NOT INCLUDED



24 Vdc | intensive use

- 24 Vdc electromechanical barrier for intensive use with control panel with 433.92 MHz radio receiver and integrated battery charger.
- Power range switching extended from 100 to 250 Vac, 50/60 Hz to reduce standby power to a minimum.
- Control panel with LCD display. Possibility of self-testing the parameters and checking the condition of the safety devices (photo test). Compatibility with Advantouch device.
- Option to install FTC.S photocells using concealed system so that they are perfectly integrated.
- Integrated absolute encoder, which ensures greater precision in slowdowns and advanced control of the boom movement so that it never loses the reference position of the boom even if there is a power cut or the automatic device is released
- Integrated STC System for precise torque calculation.
- Serial connection with SIS accessory data sheet, for fast and easy connection for operation in paired boom mode.
- Fast-acting release.
- Integrated flashing lamp (requires EVA.LAMP accessory data sheet)



VE.P650



EVA8.A2
9081029

Elliptical arm of painted aluminium complete with cap, and anti-collision rubber profile (L. 8m). Available only in the two pieces version with joint.



VE.P650
9623069

Foundation plate with coach screws for EVA.8.



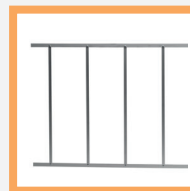
VE.TERM
9864010

Thermostat for very cold places.



VE.AM
9078020

Mobile support for bars.



VE.RAST
9672010

Aluminium rack L= 2 m. H= 60 cm



EVA.AF
9078035

Painted fixed support.



EVA.L
9534002

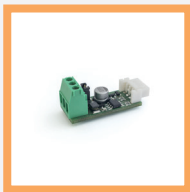
Flashing light set for EVA8.A2.



VE.KM1HN
9614267

VE.KM2HN
9614268

Single/two-channel loop detector.



SIS
9760075

Electronic card that allows synchronised movement of 2 automations (facing doors).



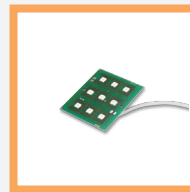
VE.CS
9760050

Traffic-light control unit for LED.TL.



LED.TL
9766003

2 light 230 Vac LED traffic light.



EVA.LAMP
9534003

Circuit for EVA.8 flashing light.



EVA.CAT7
9549031

Set of 20 adhesive refractor strips for EVA8.A2.



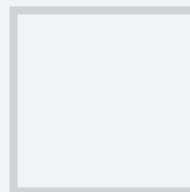
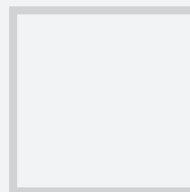
ESA BASIC
9176108

System that reduces the electrical energy consumption. In the EVA.8 model, the use of ESA BASIC is not compatible with the battery operation.



KSUN
9611004

KIT for system operation via solar panel. For 24 Vdc models.



MADE IN ITALY

AUTOMATISMI BENINCA SpA • via del Capitello, 45 • 36066 Sandrigo (VI) ITALY • T +39 0444 751030 • F +39 0444 759728 • sales@beninca.it

ROD LENGTH

USABLE ACCESSORIES

TECHNICAL DATA

EVA.8

| | |
|------------|-----------------|
| 8 m | --- |
| | VE.RAST |
| | SC.RES |
| 7 m | VE.RAST + VE.AM |
| | SC.RES + VE.AM |

| | |
|-------------------------------|-----------------------------------|
| Code | 9083235 |
| Power supply | 100-250 Vac (50-60Hz) |
| Motor supply | 24 Vdc |
| Max absorbed current | 1,6 A |
| Power consumption in stand-by | 40 mA (230Vac) 50 mA (115 Vac) |
| Torque | 285 Nm |
| Opening time | 3,5" - 6" |
| Operation cycle | intensive use |
| Protection level | IP44 |
| Operating temperature | -20°C /+50°C |
| Weight | 110 kg |

Attention: The installation of the VE.RAST interferes with the use of the SC.RES and vice versa. The installation of the EVA.L lights kit does not influence the balancing of the bar.